

581258 (L-PJP20B) 20 W Projection Loudspeaker

- ✓ **Powerful and intelligible audio performance**
- ✓ **Stylish and unobtrusive design**
- ✓ **High impact fire resistant ABS enclosure**
- ✓ **Completely water resistant**
- ✓ **Easy installation and cost effective**
- ✓ **CE and RoHS compliant**



Overview

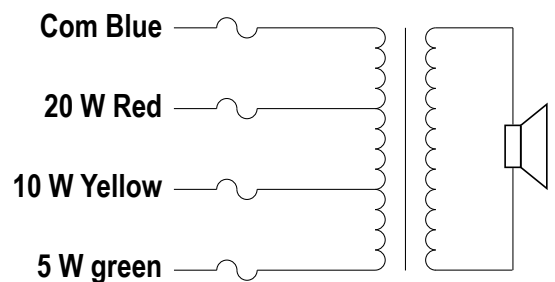
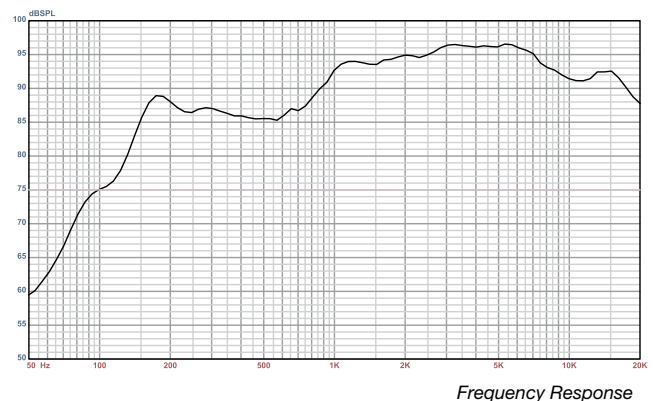
This loudspeaker is a high-performance 20 W public address unidirectional projection loudspeaker. It provides a broad frequency response range, low distortion and high sound pressure level for accurate and intelligible broadcast of evacuation messages and high quality sound reproduction. It can be used in indoor applications, providing reliable operations over wide temperature and humidity ranges. Its low-profile, white color design blends easily with most interiors in locations such as hotels, conference rooms, cinemas, theme parks, factories and exhibitions. The loudspeaker is CE and RoHS compliant.

Mounting

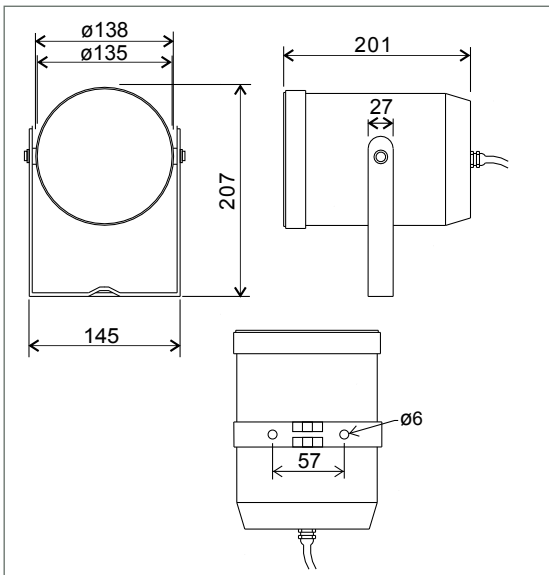
The projection loudspeakers are supplied completely with sturdy adjustable mounting brackets, allowing the sound beam to be accurately directed.

Power setting

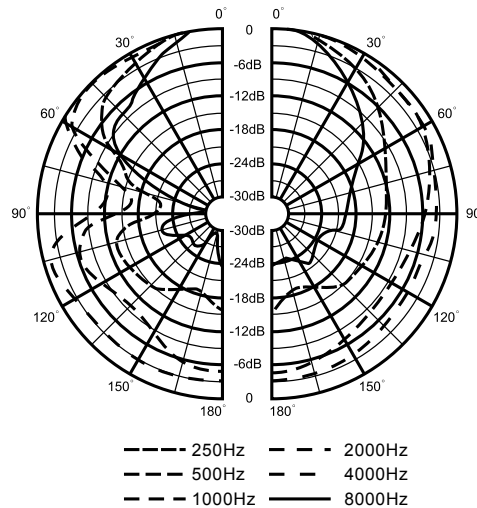
The projection loudspeakers include a 100 V transformer with taps on the primary winding to allow different power settings. Nominal full-power, half-power, fourth-power can easily be selected by connecting the amplifier output to the appropriate tap.



Circuit Diagram



Dimensions



Polar Diagram

Specifications

Electrical

Max. power	40 W
Rated power	20 W
Power tapping	20 W / 10 W / 5 W
SPL @ 20 W / 1 m (330 ~ 8 kHz)	105 dB
SPL @ 1 W / 1 m (330 ~ 8 kHz)	92 dB
Frequency range (- 10 dB)	140 Hz ~ 20 kHz
Dispersion angle (1 kHz / - 6 dB)	150 °
Rated input voltage	100 V
Rated impedance	500 Ω / 1 kΩ / 2 kΩ
Connection	Cable

Mechanical

Dimensions	138 mm Ø x 201 mm
Weight	1.56 kg
Color	White (RAL 9003)
Speaker size	130 mm (5 inch)
Material	ABS
IP rating	P 66

Environmental

Operating temperature	- 25 °C ... + 55 °C
Storage temperature	- 40 °C ... + 70 °C
Relative humidity	< 95 %

Order information

Catalog description	20 W Projection loudspeaker
Part number	581258
Type	L-PJP20B

Part No.