

## 581277 (L-PWP40A) 40 W Cabinet Loudspeaker

- ✓ Extraordinary sound effect, intelligible treble and powerful bass
- ✓ Sturdy ABS enclosure
- ✓ Popular and stylish design
- ✓ Easy installation and cost effective
- ✓ Adjustable installation brackets
- ✓ CE and RoHS compliant



### General

L-PWP40A is a 40 W cabinet loudspeaker intended for use in general indoor and outdoor applications. It is excellent in recreating original audio effects, foreground and background music. Equipped with high linearity anti-fatigue rubber, the bass audio performance is free from distortion. Treble circuit unit adopts dome Cor-tina design, extending the treble range of frequency response and increasing the high quality acoustic performance. Anode and cathode screw terminals on the back box make it easier for cable connection. The loudspeaker is ideal for use in theme bars, music restaurants, groceries, video shops, meeting rooms, of- fice buildings, exhibition halls, gyms, and presentation rooms. The adjustable installation brackets flexibly po- sition the loudspeakers, meeting the needs of different indoors' soundfield characteristics and idiosyncrasies. The loudspeaker is CE and RoHS compliant.

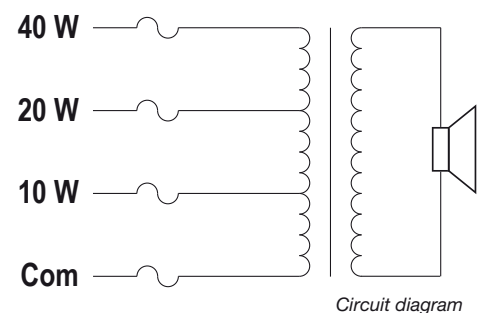
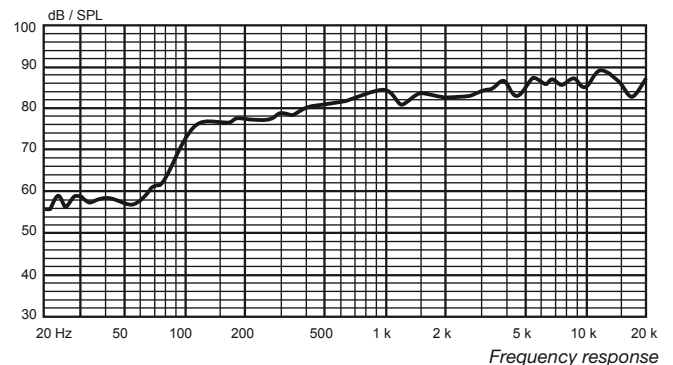
### Mounting

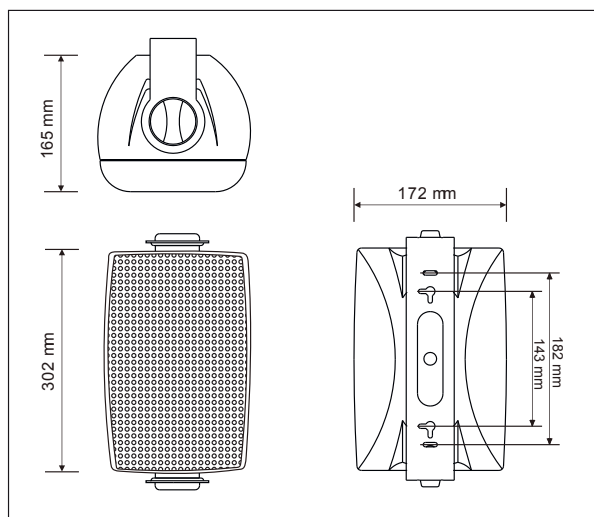
The cabinet loudspeaker is designed for both surface mounting on walls and mounting on ceilings. Adjust-

able installation brackets allow exact positioning.

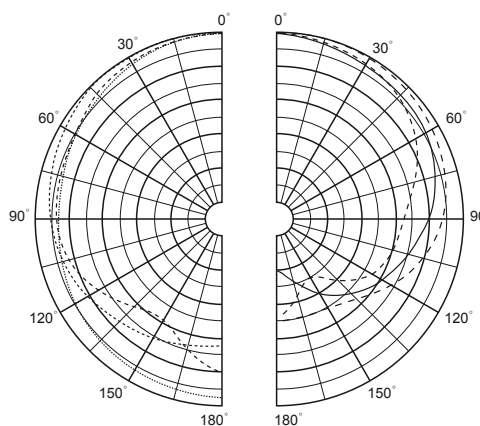
### Power setting

The speaker allows selection of 40 W, 20 W and 10 W. at a built-in transformer or an 8  $\Omega$  bypass can be selected by a switch at the backside of the loudspeaker.





Dimensions



Polar diagram

## Specifications

Rated Power	40 W
Transformer power taps	40 / 20 / 10 W
Rated impedance	0,25 / 0,5 / 1 kΩ
SPL 1 W / 1 m	84 dB
Transmission range	100 ... 20000 Hz
Dispersion angle	160°
Ambient temperature	-25 °C ... 55 °C
Storage temperature	-40 °C ... 70 °C
Air humidity	< 95 % non condensing
Material	ABS
Color	white, similar to RAL 9003
Weight	approx. 3.2 kg
Dimensions	W: 302 mm H: 172 mm D: 165 mm

## Order information

## Part No.

40 W cabinet loudspeaker L-PWP40A

581277